



## Mainsheet Cleat Base V1

**Tools required:**

- Pozidrive screwdriver
- Wire cutters (to cut cable ties)

**Contents:**

- 1 x mainsheet cleat base
- 4 x machine screws
- 2 x cable ties

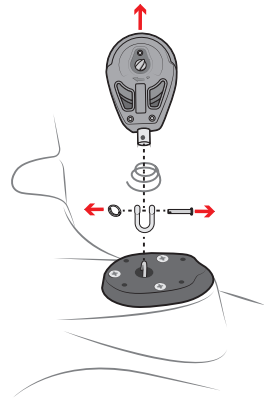


PLEASE FOLLOW RIGGING GUIDE IN CORRECT ORDER



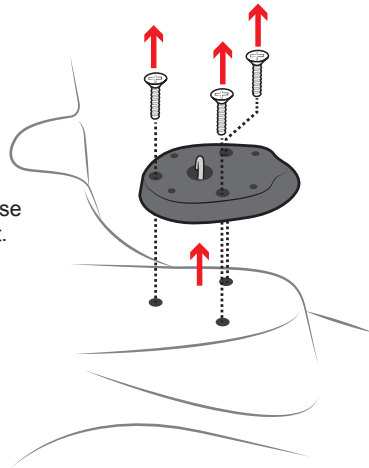
1.

Undo the shackle and remove the mainsheet cleat, spring and shackle from the base.



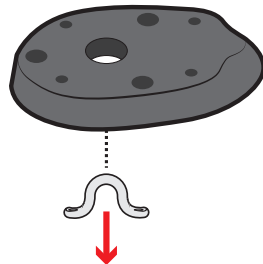
2.

Remove the 3 screws which hold the base and then remove the base from the boat.



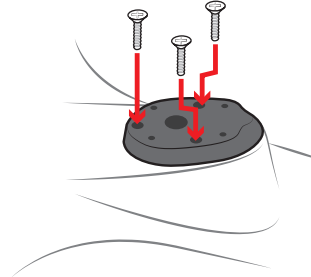
2.

Remove the eyelet from the base.



4.

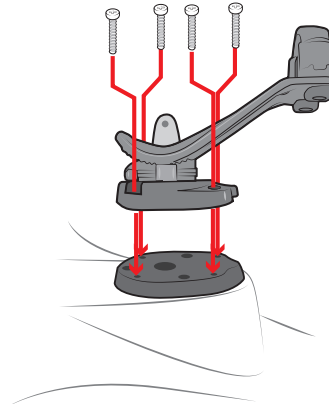
Screw the base back onto the boat using the screws removed in step 2.



Make sure it is screwed down tight.

4.

Add the new mainsheet swivel base on top of the old base using the 4 machine screws provided.



4.

Compress the existing spring (as removed in step 1) using cable ties then attach the block to the swivel base with the clevis pin and split ring.

Once the shackle is tightened, cut the cable ties.

