

RS Quest

Furler upgraded Insert

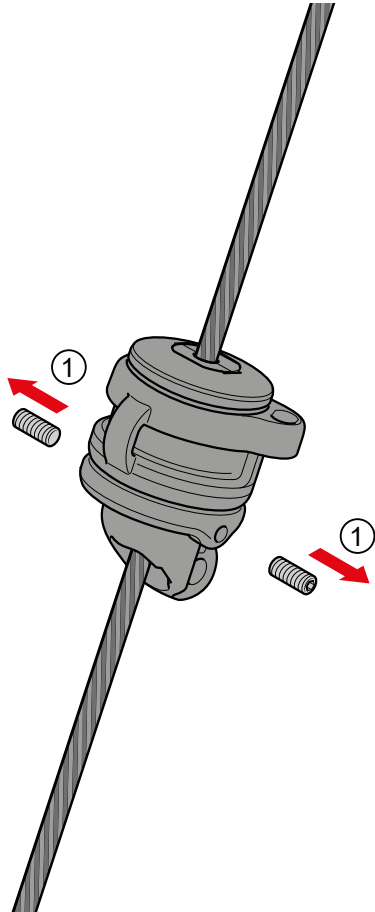


RS Quest

Parts Supplied:
1 x long plastic swivel insert
4 x Grub screws

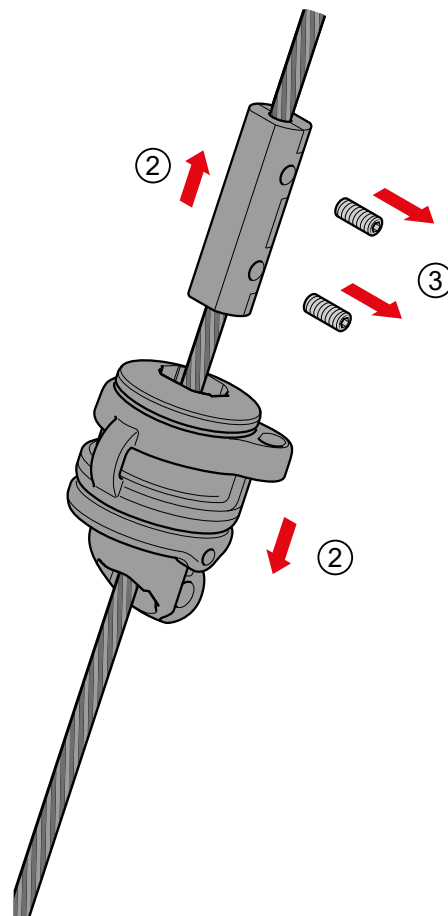
Tools required:
Allen Key set

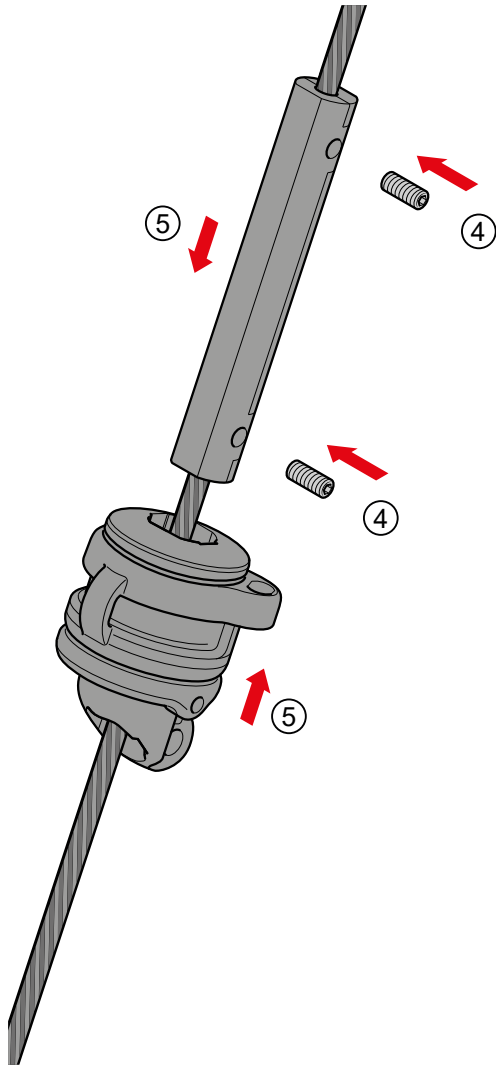
1. Remove large grub screws from side of swivel



2. slide the central plastic insert out of the swivel

3. Remove small grub screws from the insert and remove from the forestay





4. fit the long plastic insert and insert the grub screws

5. Slide the insert back into the swivel.

6. Refit the swivel grub screws.

