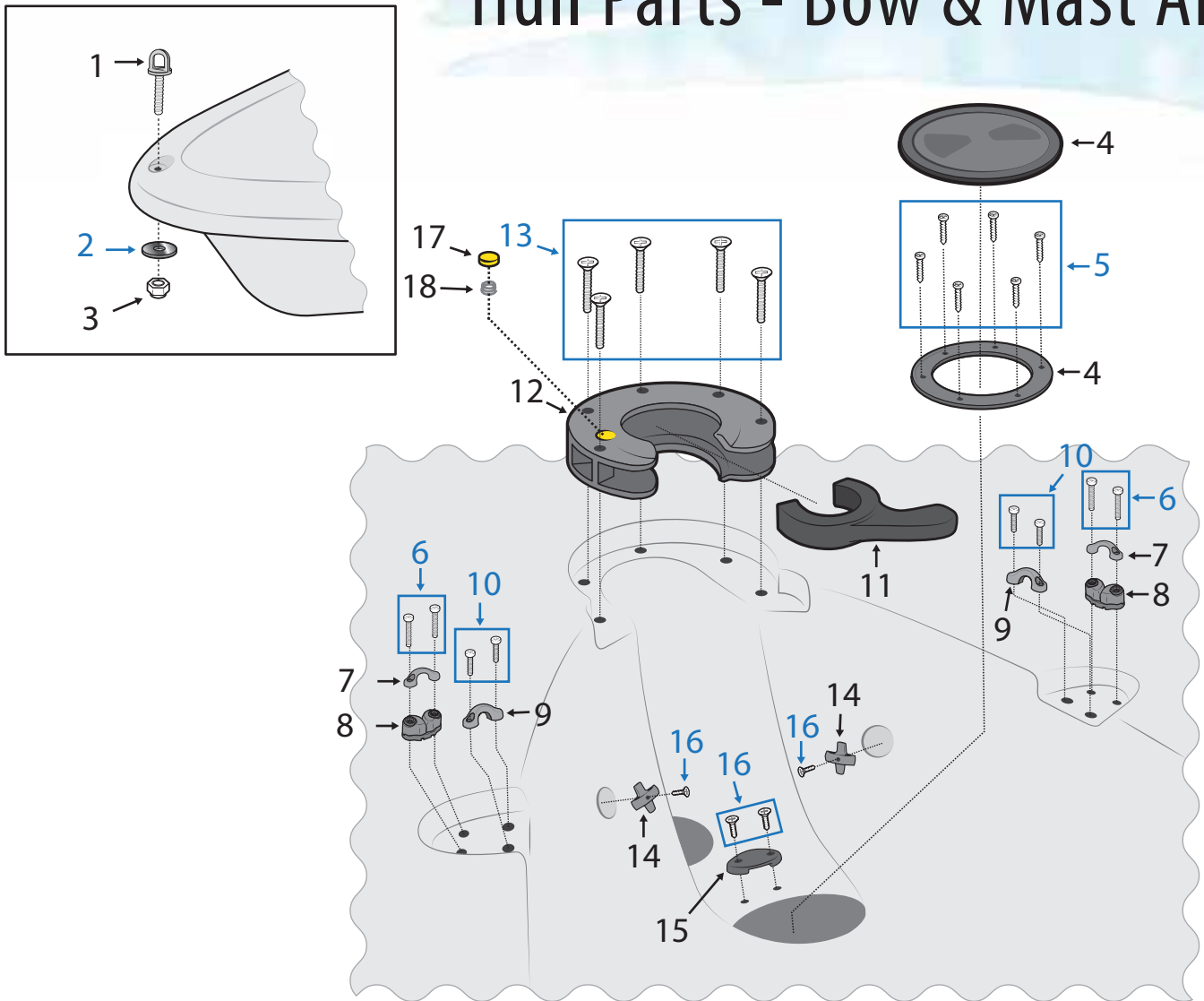




RS
Zest

**SPARE PARTS
WORKBOOK**

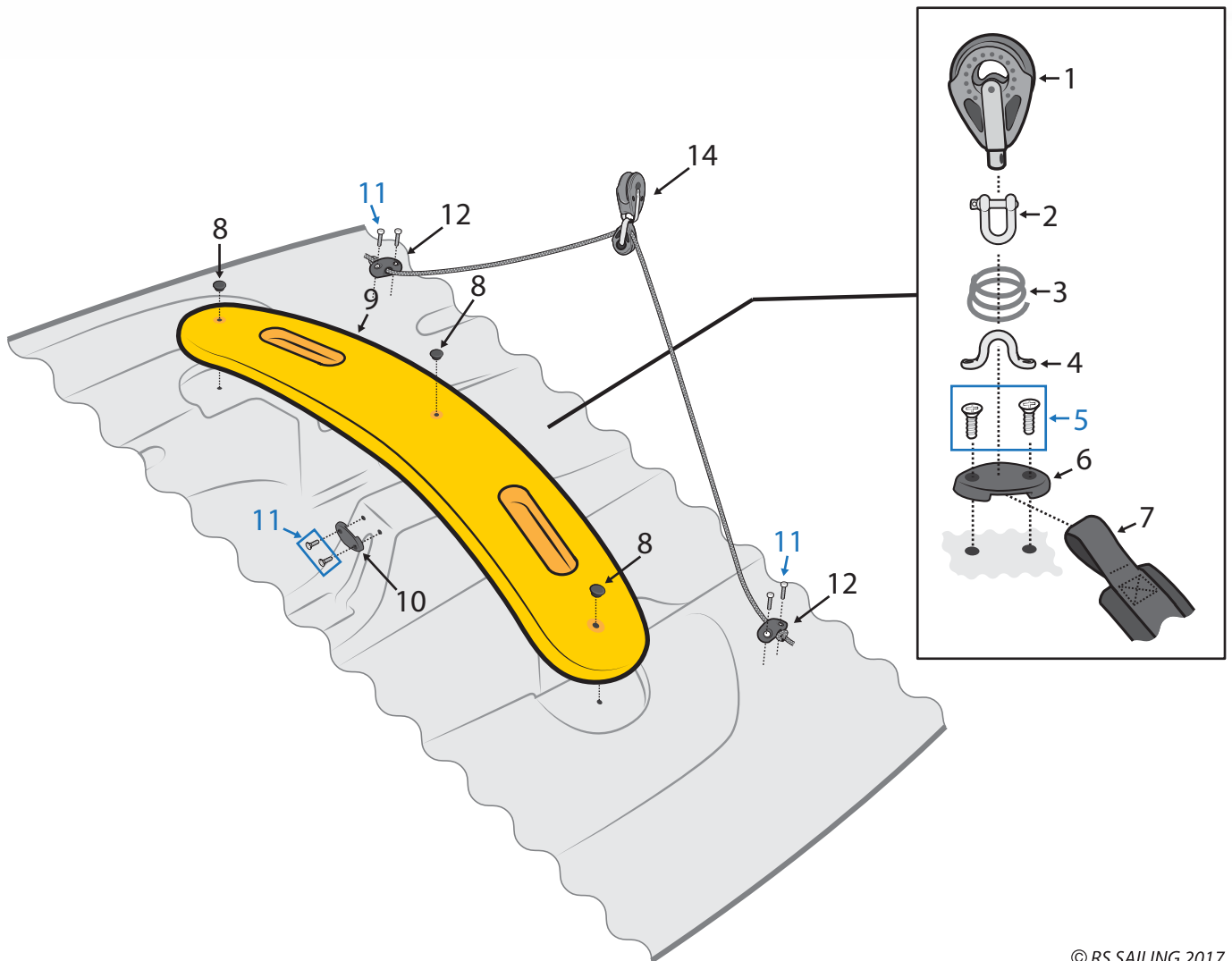
Hull Parts - Bow & Mast Area



© RS SAILING 2017

| Number | Description | Product Code |
|--------|---------------------------------------|--------------|
| 1 | RS Zest Bow Eye Bolt | ZES-HF-101 |
| 2 | Washer M8 penny | FIX-W8-002 |
| 3 | Nyloc M8 | FIX-N8-008 |
| 4 | Selden Hatch 100mm Black | RSM-HF-904 |
| 5 | CSK Pozzi Screw 8 x 3/4 | FIX-S8-C03 |
| 6 | CSK Machine Screw M4 x 25 | FIX-B4-C25 |
| 7 | Selden Top Guide 27 | 433-108-01 |
| 8 | Selden Cam Cleat 27mm | 433-101-01 |
| 9 | Selden Fairlead Medium ST Lined 38x15 | 508-611 |
| 10 | CSK Machine Screw M5 x 12 | FIX-B5-C12 |
| 11 | RS Zest Mast Gate Arm | ZES-HF-900 |
| 12 | RS Zest Mast Deck Plate Assembly | ZES-HF-200 |
| 13 | CSK Pozzi Machine Screw M6 x 50 | FIX-B6-C50 |
| 14 | RS Hiking/Toe Strap Attachment Cross | TER-HF-401 |
| 15 | RS Toe Strap Attachment Plate | RSM-HF-301 |
| 16 | CSK Pozzi Screw 8 x 3/4 | FIX-S8-C03 |
| 17 | RS Zest Mast Gate Release Button | ZES-HF-901 |
| 18 | RS Zest Mast Gate Release Spring | ZES-HF-902 |

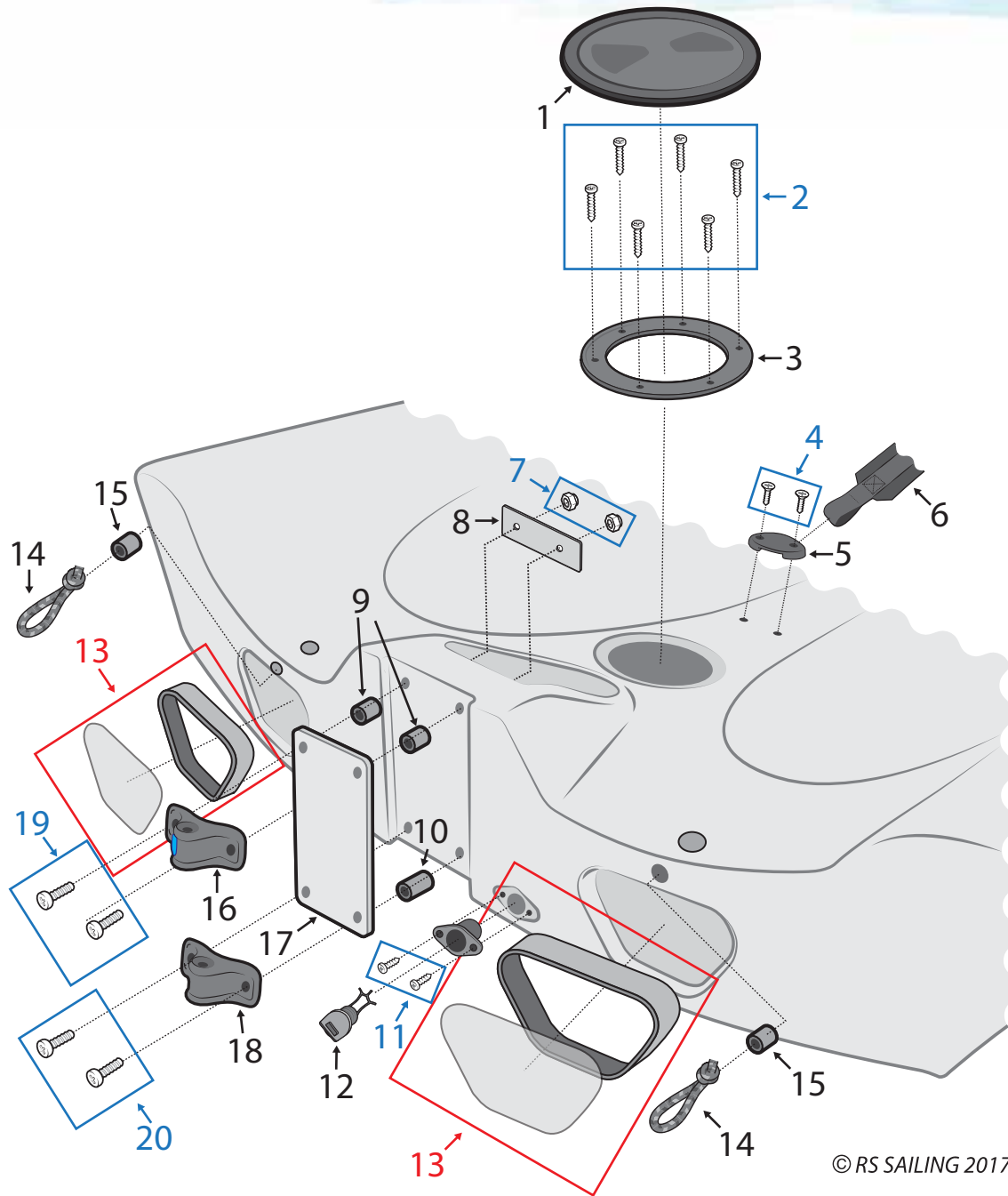
Hull Parts - Thwart Area



© RS SAILING 2017

| Number | Description | Product Code |
|--------|--|--------------|
| 1 | Selden Ball Bearing Block 40mm: Single With Shackle Swivel | P40410101 |
| 2 | Allen Forged D Shackle 4mm | A-621104 |
| 3 | Selden Stand Up Spring 30/20-40 ST | 433-411 |
| 4 | Selden Lacing Eye 38mm | 508-019 |
| 5 | Pozzi Pan Machine Screw M5 x 20 | FIX-B5-P20 |
| 6 | Hiking/Toe Strap Attachment Plate | RSM-HF-301 |
| 7 | RS Zest Hiking/Toe Strap Set | ZES-HF-400 |
| 8 | RS Tiller Tube End Plug | QUE-FO-901 |
| 9 | RS Zest Thwart | ZES-HF-300 |
| 10 | Hiking/Toe Strap Attachment Plate | RSM-HF-301 |
| 11 | CSK Pozzi Machine Screw M5 x 20 | FIX-B5-C20 |
| 12 | Selden Rope Dead End - 6mm Rope Max. | 480-351 |
| 14 | Selden Ball Bearing Block 40mm: Traveller Block 40/30mm | 404-101-21 |

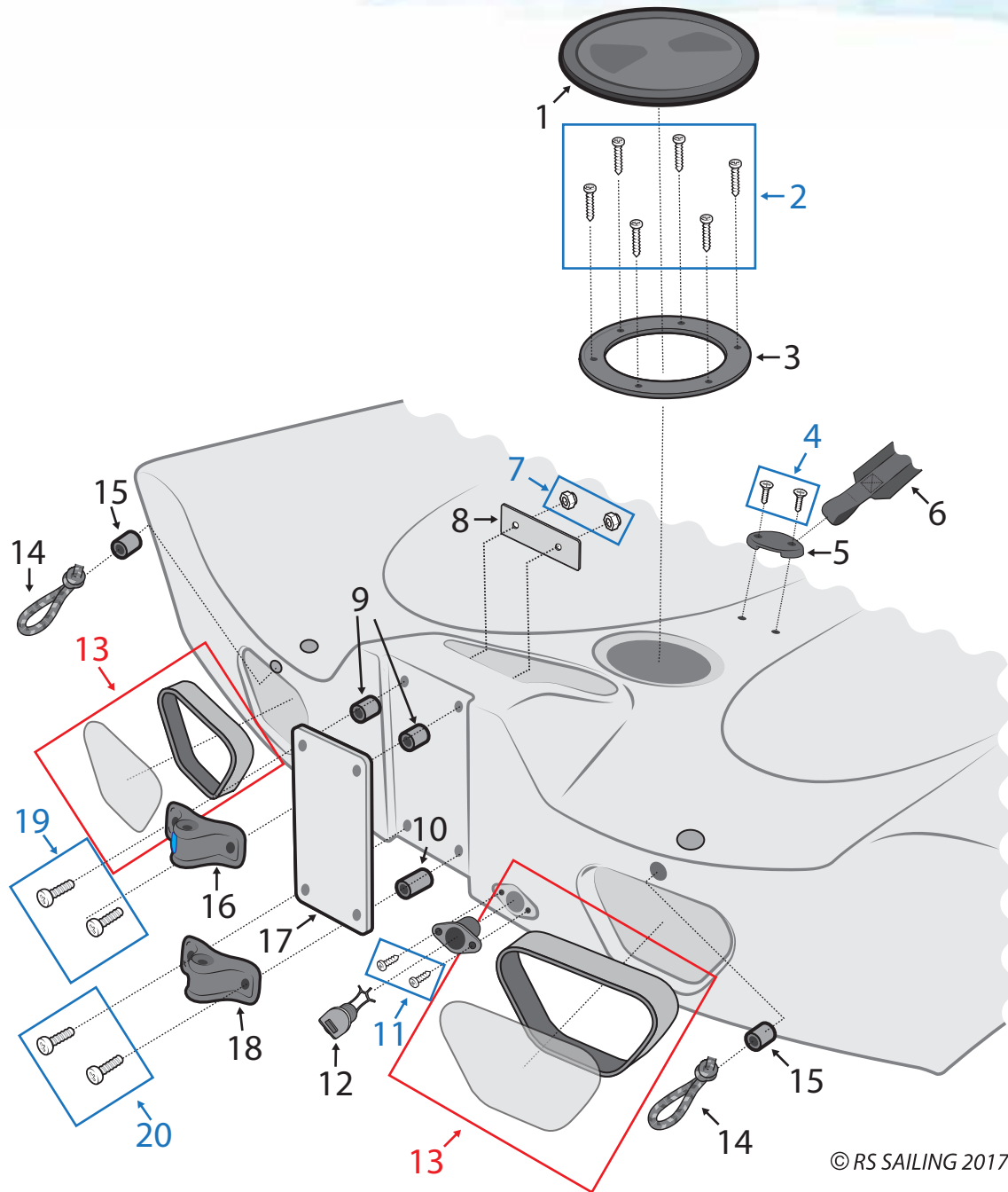
Hull Parts -Transom Area



© RS SAILING 2017

| Number | Description | Product Code |
|--------|---|--------------|
| 1 | Selden Hatch 100mm Black | RSM-HF-904 |
| 2 | CSK Pozzi Screw 8 x 3/4 | FIX-S8-C03 |
| 3 | Selden Hatch 100mm Black | RSM-HF-904 |
| 4 | CSK Pozzi Machine Screw M5 x 20 | FIX-B5-C20 |
| 5 | Hiking/Toe Strap Attachment Plate | RSM-HF-301 |
| 6 | RS Zest Hiking/Toe Strap Set | ZES-HF-400 |
| 7 | Nyloc M6 | FIX-N6-006 |
| 8 | RS Transom Gudgeon backing Plate MK2 Hull | C16-HF-504 |
| 9 | SPACER TUBE L=30 | QUE-HF-504 |
| 10 | SPACER TUBE | 480-384 |
| | Continues on next page. | |

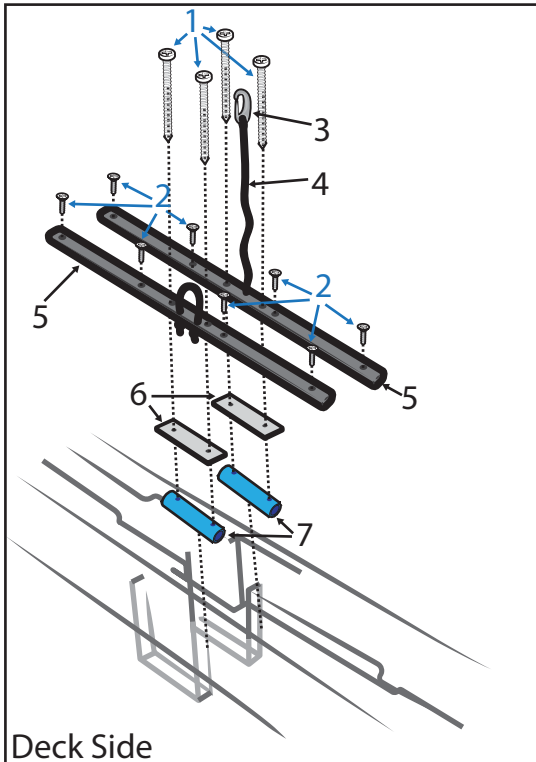
Hull Parts -Transom Area



© RS SAILING 2017

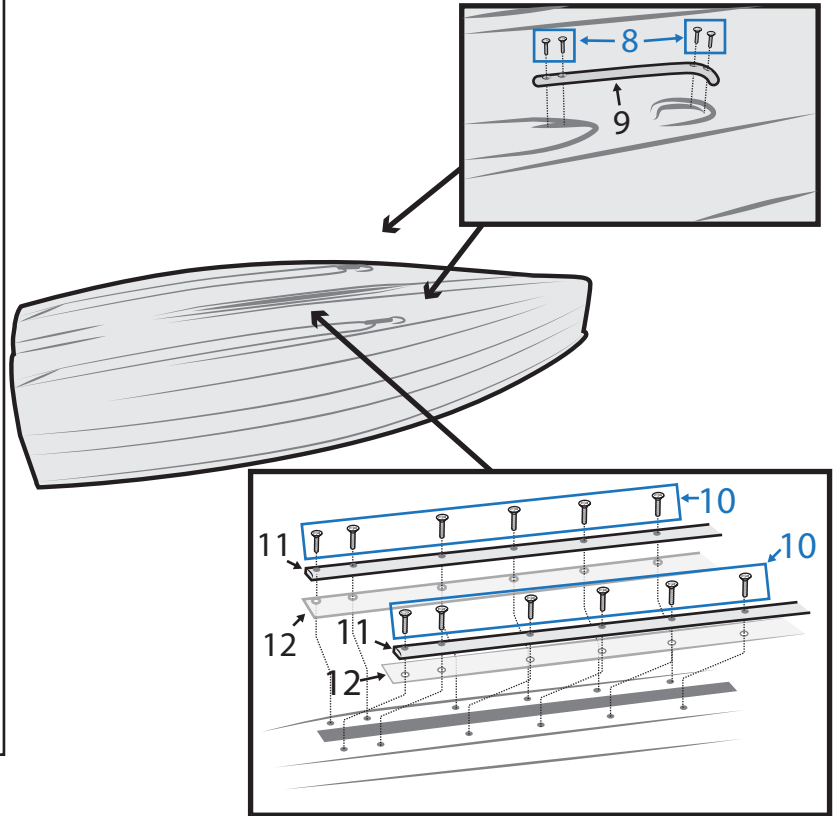
| Number | Description | Product Code |
|--------|---|--------------|
| 11 | CSK Pozzi Screw 8 x 3/4 | FIX-S8-C03 |
| 12 | Allen Pro Bung & Socket | A423 |
| 13 | RS Zest Transom Drain Assembly | ZES-HF-500 |
| 14 | Rig 12 Black 4mm | RIG1204BLK |
| 15 | SPACER TUBE Ø16.5/Ø8.5-30 | 480-566 |
| 16 | RS Transom Gudgeon (Plastic - With Lock) | C16-HF-502 |
| 17 | RS Zest Transom Plate | ZES-HF-501 |
| 18 | RSM-HF-506Transom Gudgeon (Plastic - No Lock) | RSM-HF-506 |
| 19 | Pozzi Pan Machine Screw M6 x 55 | FIX-B6-P55 |
| 20 | Pozzi Pan Machine Screw M6 x 60 | FIX-B6-P60 |

Hull Parts - Underside



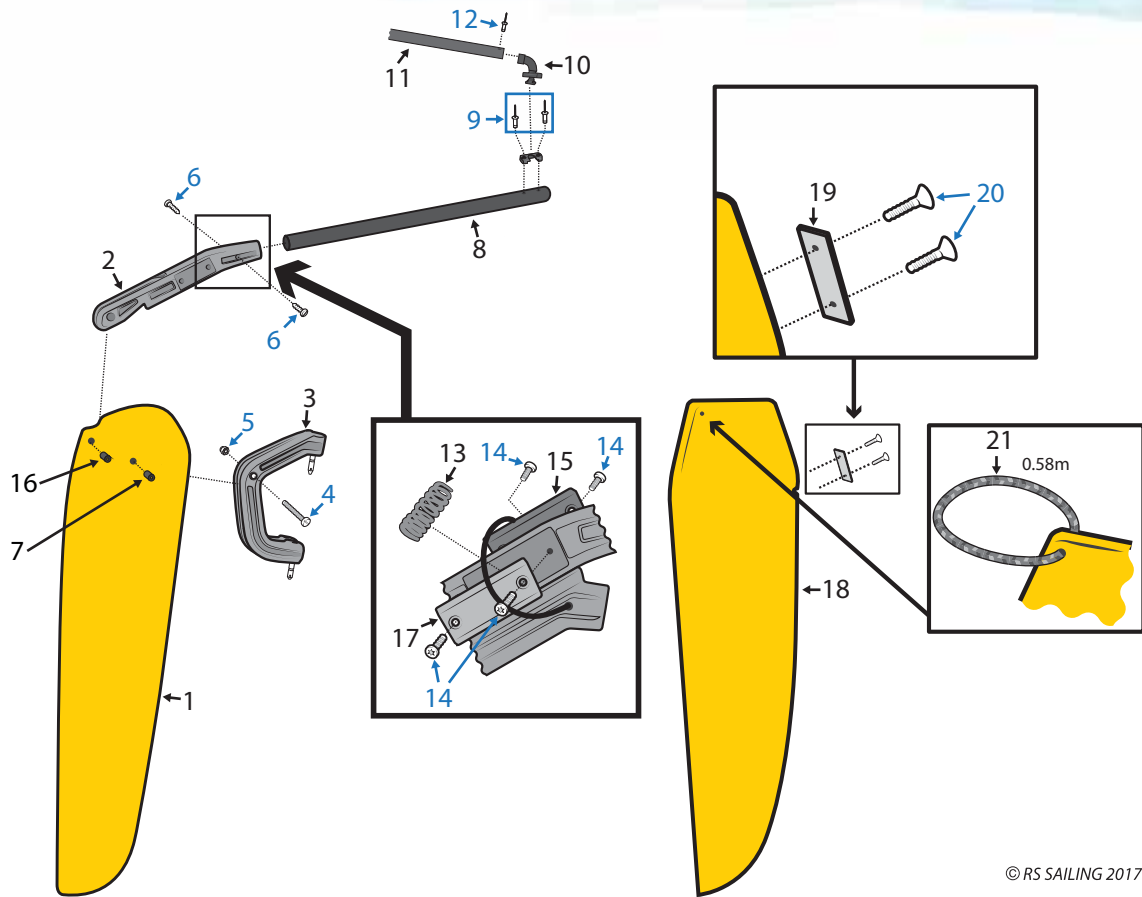
Deck Side

© RS SAILING 2017



| Number | Description | Product Code |
|--------|-----------------------------------|--------------|
| 1 | Pozzi Pan Screw 10 x 2 | FIX-S10-P02 |
| 2 | Pozzi Pan Screw 10 x 2 | FIX-S10-P02 |
| 3 | Allen Nylon Shockcord Hook | A359 |
| 4 | Kingfisher Shockcord 4mm: Black | KS304BLK |
| 5 | RS Zest Centreboard Deck Plate | QUE-HF-302 |
| 6 | Allen Hiking/Toe Strap Plate S/S | A4099 |
| 7 | Centreboard Friction Tube | RSM-FO-902 |
| 8 | CSK Pozzi Machine Screw M5 x 20 | FIX-B5-C20 |
| 9 | RS Zest Bilge Rail Handles | QUE-HF-307 |
| 10 | CSK Pozzi Screw 8 x 3/4 | FIX-S8-C03 |
| 11 | RS Zest Centreboard Rubbing Plate | QUE-HF-305 |
| 12 | 2000/RS Zest Slot Gasket | L2K-HF-303 |

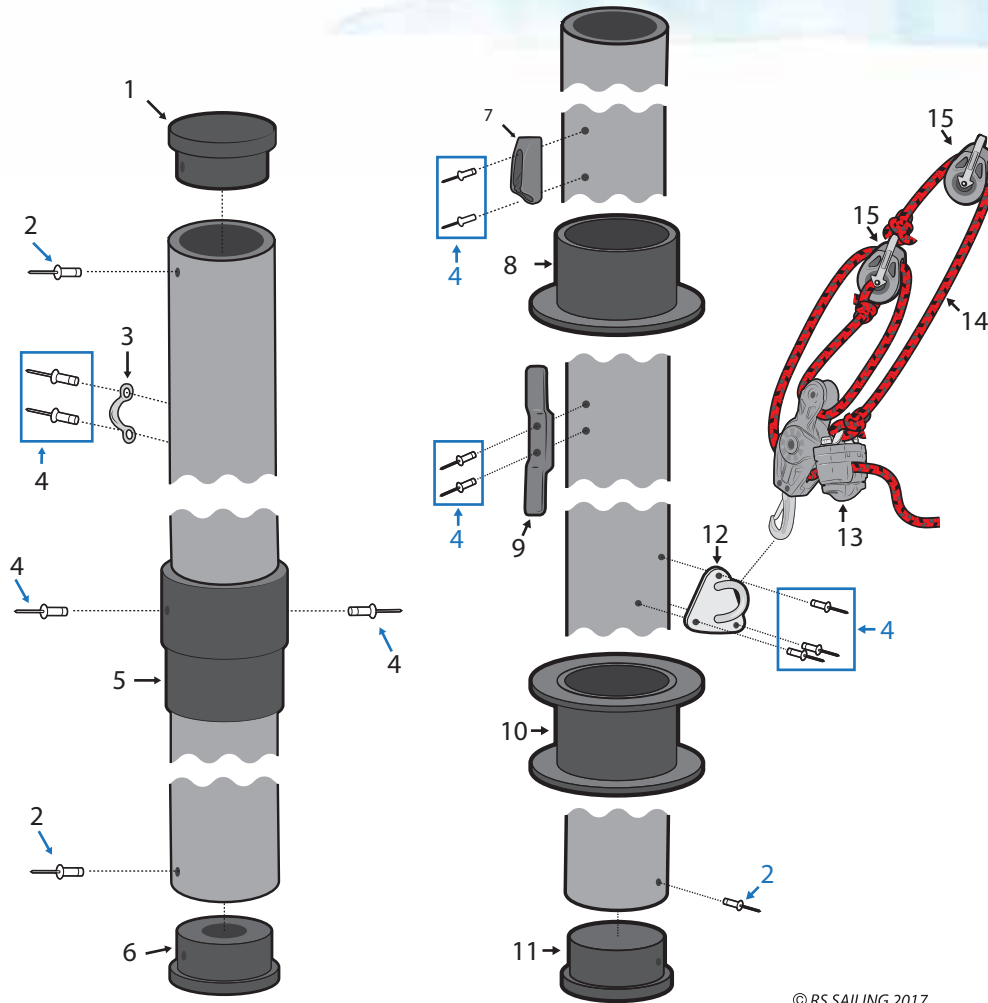
Rudder Stock | Foils & Foil Parts



© RS SAILING 2017

| Number | Description | Product Code |
|--------|---|--------------|
| 1 | RS Zest Rudder Blade | ZES-FO-100 |
| 2 | RS Zest Kick Up Handle | ZES-FO-901 |
| 3 | RS Zest Rudder Stock ('C' Shaped Part) | ZES-FO-902 |
| 4 | Selden Rudder Stock Pivot Bolt: M8 x 40 | FIX-B8-P41 |
| 5 | Nyloc M8 | FIX-N8-008 |
| 6 | CSK Pozzi Screw 10 x 3/4 | FIX-S10-C34 |
| 7 | RUDDER BUSH, Ø20/8.5-25 | 480-533 |
| 8 | RS Zest Tiller Tube | ZES-FO-400 |
| 9 | CSK Pozzi Screw 8 x 3/4 | FIX-S8-C03 |
| 10 | Selden Tiller Extension UJ | CA0015 |
| 11 | RS Zest Tiller Extension 900mm | ZES-FO-500 |
| 12 | Button Head Machine Screw M4 x 35 | FIX-B4-B35 |
| 13 | RS Rudder Stock Casting Spring | RSM-FO-916 |
| 14 | CSK Machine Screw M5 x 12 | FIX-B5-C12 |
| 15 | RS Rudder Stock Cast Spring Cover | RSM-FO-917 |
| 16 | RUDDER BUSH, Ø20/8.5-22 | 480-560 |
| 17 | RS Rudder Stock Cast Spring Cover | RSM-FO-917 |
| 18 | RS Zest Centreboard | ZES-FO-200 |
| 19 | Allen Hiking/Toe Strap Plate S/S | A4099 |
| 20 | CSK Pozzi Screw 10 x 1 1/2 | FIX-S10-C15 |
| 21 | Kingfisher Braid on Braid 8mm: Black | KBB08BLK |

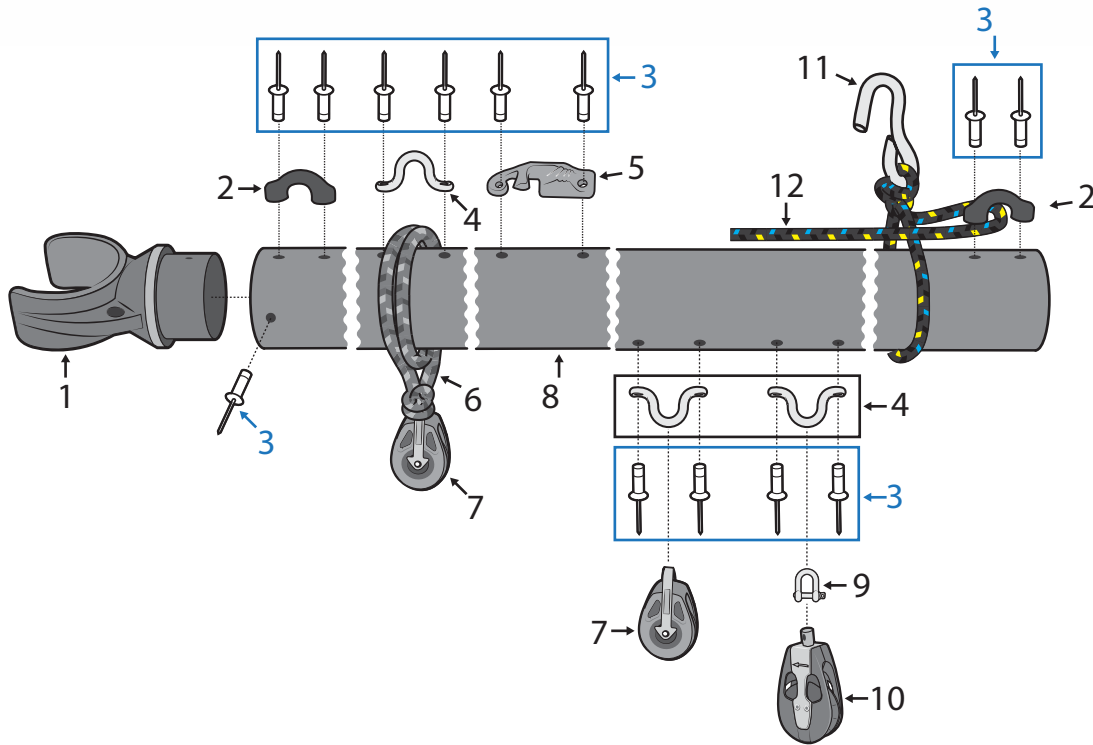
Mast Parts



© RS SAILING 2017

| Number | Description | Product Code |
|--------|--|--------------|
| 1 | RS Zest Top Mast Upper Plug | ZES-SP-903 |
| 2 | Rivet Monel 4.8 x 12.9 | FIX-R48-M12 |
| 3 | Seasure Low Saddle | S2517 |
| 4 | Rivet Monel 4.8 x 18 | FIX-R48-M18 |
| 5 | RS Zest Mast Join Collar | QUB-SP-903 |
| 6 | RS Zest Top Mast Bottom End cap. | QUB-SP-904 |
| 7 | Clamcleat Racing Junior MK2 | CL211MK2 |
| 8 | RS Zest Lower Mast Collar | ZES-SP-901 |
| 9 | Selden Horn Cleat | P51103001 |
| 10 | RS Zest Mast Collar | ZES-SP-900 |
| 11 | RS Zest Bottom Mast Heal Plug | ZES-SP-902 |
| 12 | Selden Forestay Eye Triangle | P50847701 |
| 13 | BLOCK, BBB40 FID./HOOK,CAM | P40410118 |
| 14 | Kingfisher 8 Plait PreStretch 4mm: Red/Black | KPS04RED |
| 15 | Selden Ball Bearing Block 40mm: Single | 404-101-02R |
| 20 | CSK Pozzi Screw 10 x 1 1/2 | FIX-S10-C15 |
| 21 | Kingfisher Braid on Braid 8mm: Black | KBB08BLK |

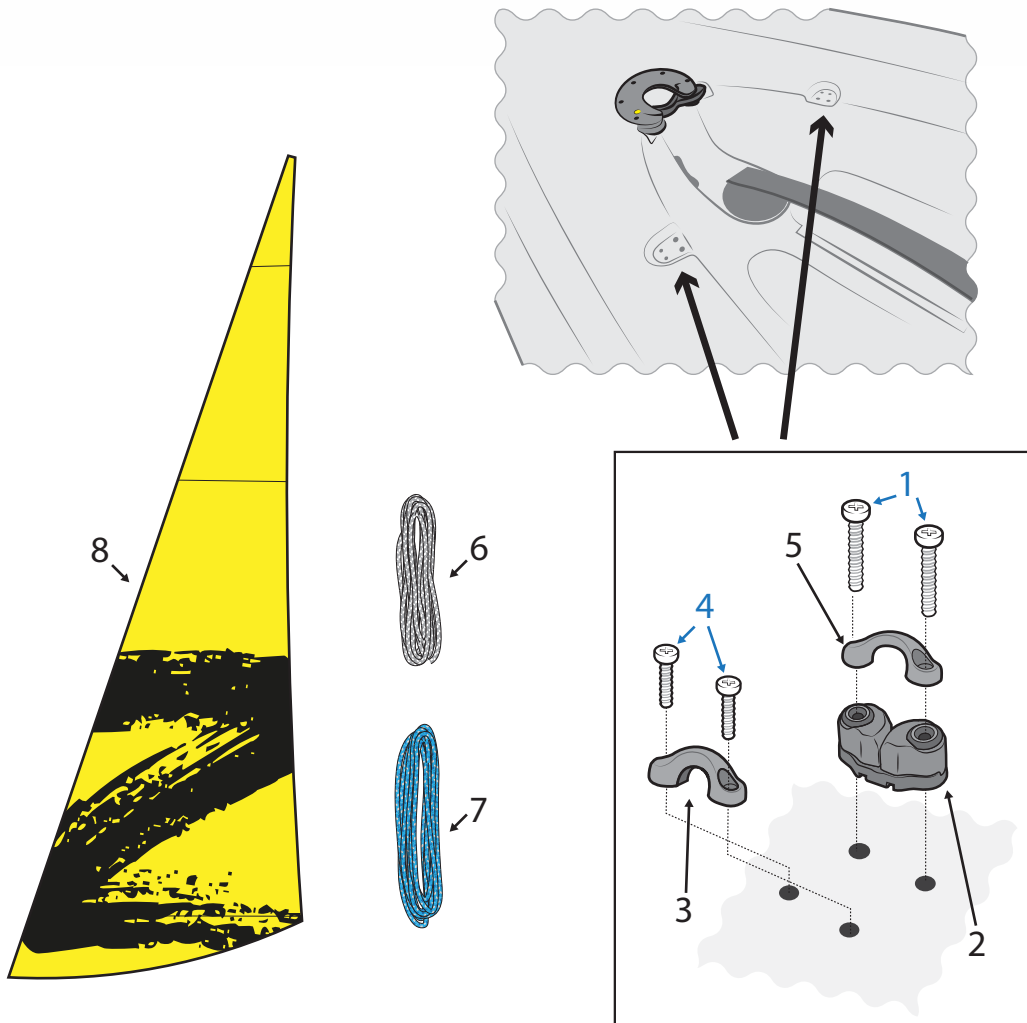
Boom - Parts



© RS SAILING 2017

| Number | Description | Product Code |
|--------|---|--------------|
| 1 | RS Zest Boom Inboard End | FEV-SP-911 |
| 2 | RS Aero S/S Lined Fairlead (Medium) | AER-HF-100 |
| 3 | Rivet Monel 4.8 x 12.9 | FIX-R48-M12 |
| 4 | Selden Lacing Eye 38mm | 508-019 |
| 5 | Clamcleat Side Entry Cleat (Starboard) MK1 | CL217MK1 |
| 6 | Kingfisher Evolution Performance 4mm: Black Yellow | KCL04BYE |
| 7 | Selden Ball Bearing Block 40mm: Single | 404-101-02R |
| 8 | RS Zest Boom | ZES-SP-400 |
| 9 | Allen Forged D Shackle 4mm | A-621104 |
| 10 | Selden Automatic Ratchet Block 45mm | P404401 |
| 11 | Allen S/S Twisted Welded Hook (RS200/400 Rig Tension) | A4069 |
| 12 | Kingfisher 8 Plait PreStretch 4mm | KPS04BLE |

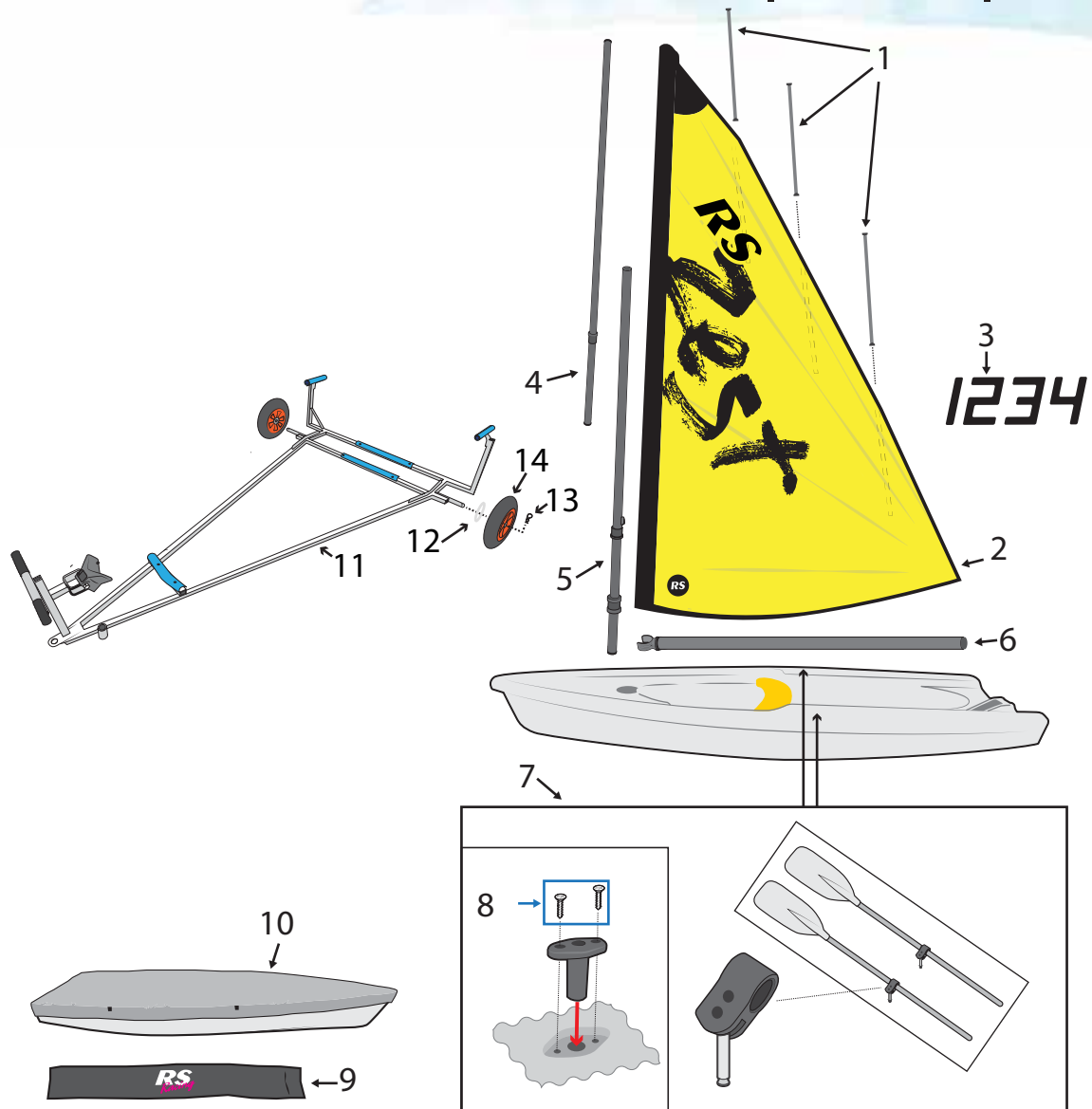
Upgrade Packs & Parts



© RS SAILING 2017

| Number | Description | Product Code |
|--------|---|--------------|
| | RS Zest Jib Pack (Jib, Jib Hardware Pack & Jib Rope Pack) | ZES-UA-101 |
| 1 | CSK Pozzi Machine Screw M5 x 25 | FIX-B5-C25 |
| 2 | 433-101-01Selden Cam Cleat 27mm | 433-101-01 |
| 3 | Selden Fairlead Medium ST Lined 38x15 | 508-611 |
| 4 | CSK Machine Screw M5 x 12 | FIX-B5-C12 |
| 5 | Selden Top Guide 27 | 433-108-01 |
| 6 | RS Zest Jib Halyard | ZES-WEB-001 |
| 7 | RS Zest Jib Sheet | ZES-WEB-002 |
| 8 | RS Zest Jib | ZES-SA-200 |

Sail | Spars | Covers



© RS SAILING 2017

| Number | Description | Product Code |
|--------|---|--------------|
| 1 | RS Zest Mainsail Batten Set | ZES-SA-900 |
| 2 | RS Zest Mainsail | ZES-SA-100 |
| 3 | RS Digital 8 Sail Number - 230mm | RSM-SA-901 |
| 4 | RS Zest Upper Mast | ZES-SP-200 |
| 5 | RS Zest Lower Mast | ZES-SP-300 |
| 6 | RS Zest Boom | ZES-SP-400 |
| 7 | RS Rowing Kit Assembly(Tera/Quba/Zest) | RSM-UA-100 |
| 8 | CSK Pozzi Screw 10 x 1 | FIX-S10-C01 |
| 9 | Hyde Sail Bag 2.75m | LDCSB31 |
| 10 | RS Zest Polycotton Deck Cover | ZES-CO-100 |
| 11 | RS Zest Launching Trolley | ZES-TR-100 |
| 12 | Nylon Trolley Washer M27 x 500D x 4mm Thick | RSM-TR-916 |
| 13 | Trolley Wheel Spring Clip | RSM-TR-908 |
| 14 | Trolley Wheel | RSM-TR-911 |

Rope List

| Description | Length (m) | Size (mm) | Qty | Colour | Type |
|------------------------------|-------------------|------------------|------------|---------------|--------------------|
| Rear Toestrap tie | 0.8 | 5 | 1 | Black | Shockcord |
| Front Toestrap tie | 0.6 | 5 | 1 | Black | Shockcord |
| Mainsheet Bridal | 1 | 4 | 1 | Solid Black | EVO Performance |
| Mainsheet | 7.2 | 8 | 1 | Black / White | BoB Melange |
| Downhaul | 0.75 | 4 | 1 | Black/Yellow | 8plt Pre Stretched |
| Kicker Boom Block Tie | 0.57 | 3 | 1 | Black/White | EVO Race78 |
| Kicker Primary | 0.945 | 4 | 1 | Black | Rig 12 |
| Kicker control Line | 2.4 | 5 | 1 | Black | EVO Performance |
| Outhaul | 1.35 | 4 | 1 | Black | Shockcord |
| Outhaul | 3.78 | 4 | 1 | Black/Red | 8plt Pre Stretched |
| Centerboard retainer elastic | 0.6 | 5 | 1 | Black | Shockcord |
| Clew Strap | 0.58 | 3 | 1 | Black | Rig 12 |
| Jib Halyard | 4.9 | 5 | 1 | Black | 8plt Pre Stretched |
| Jib Sheet | 5.8 | 6 | 1 | Blue | BoB Polyester |

