

RS 700

Spreader Modification V2



PLEASE FOLLOW INSTRUCTIONS IN CORRECT ORDER

RS 700

Pack contents:

2 x M3 x 18mm bolts,
washers and nylocs



2 x M4 x 18mm bolts,
washers and nylocs



2 x plastic spreader inserts



2 x 4mm bolt inserts



4 x 3mm bolt inserts



Tools required:

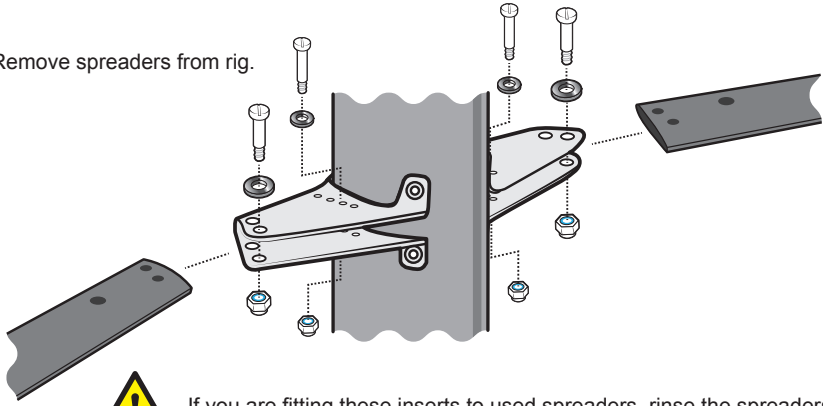
- M3 spanner and ratchet
- M4 spanner and ratchet
- black PVC tape
- drill
- 6mm drill bit
- 4mm drill bit
- 3mm drill bit
- rubber hammer

RS 7000

RS 700 Spreader Modification

1)

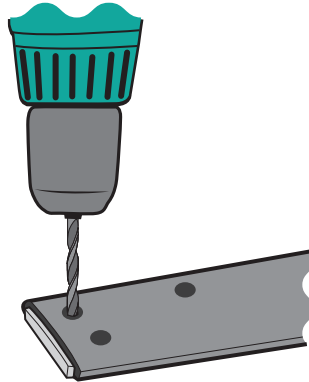
Remove spreaders from rig.



If you are fitting these inserts to used spreaders, rinse the spreaders with fresh water and dry thoroughly before you start.

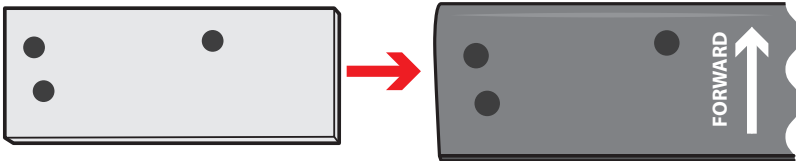
2)

Use a 6mm drill bit to widen the holes in the spreader.



3)

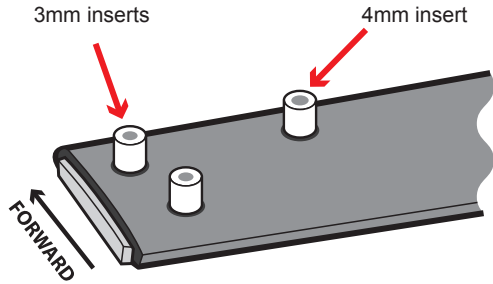
Push the nylon insert into the spreader, so that the holes in the insert line up with the holes in the spreader.



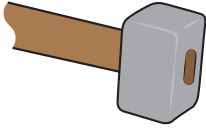
Make sure the insert is the right way round before pushing it in.

RS 700 Spreader Modification

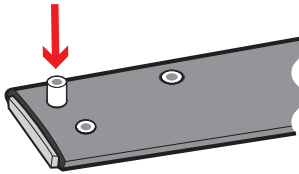
4) Line up the nylon bolt inserts with the holes in the spreader.



5)



Tap the nylon bolt inserts the whole way into the spreader using the rubber hammer.



6)

Re-fit the spreaders to the mast using the replacement bolts washers and nylocs provided in the kit.

