



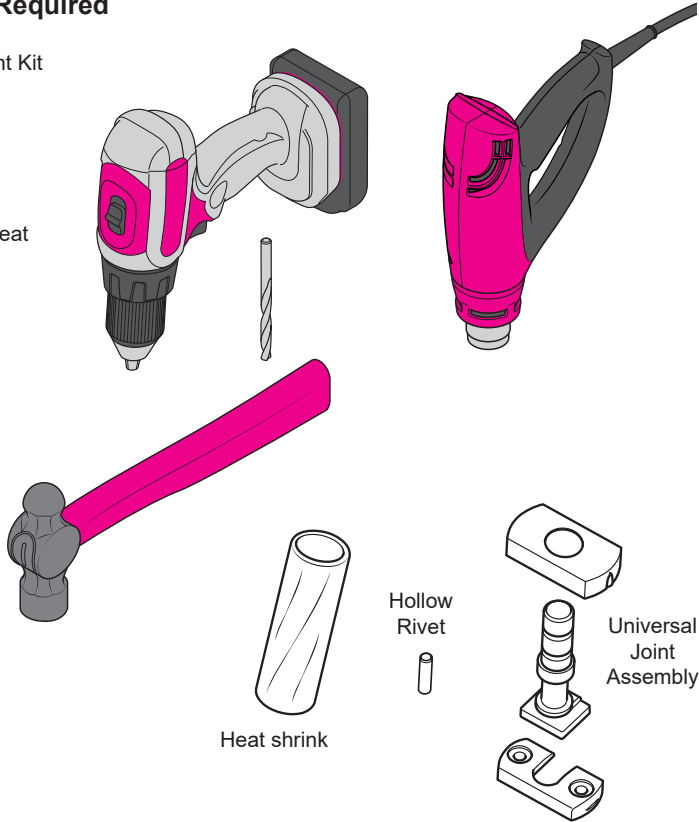
Universal Joint  
Fitting Instructions



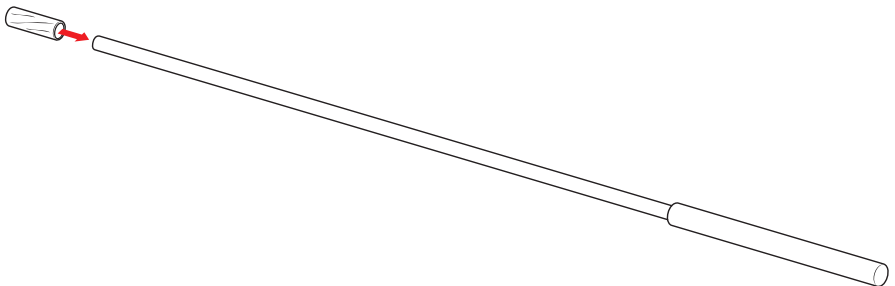


## Equipment Required

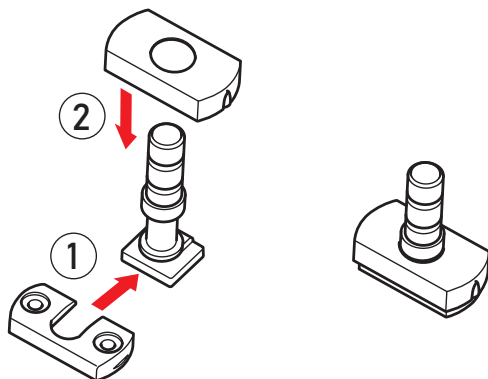
Universal Joint Kit  
Power drill  
5mm drill bit  
Hammer  
Heat Gun or  
controllable heat  
source



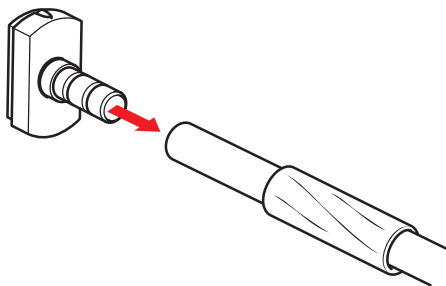
- 1) Take the heat shrink from the Universal Joint kit and slide it over the open end of the tiller extension.



- 2) Assemble the Universal Joint parts. Slide the base onto the square flex joint. Then put the locking cover over the top and click into place.

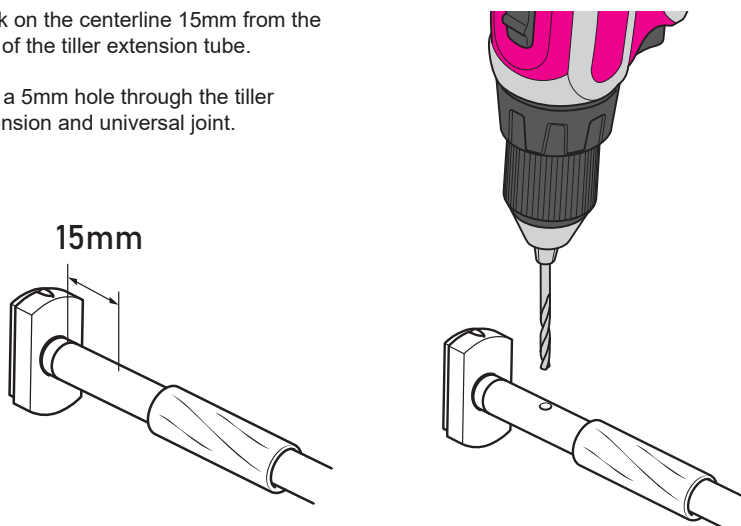


- 3) Push the Universal Joint assembly into the end of the tiller extension, make sure it is completely inserted.



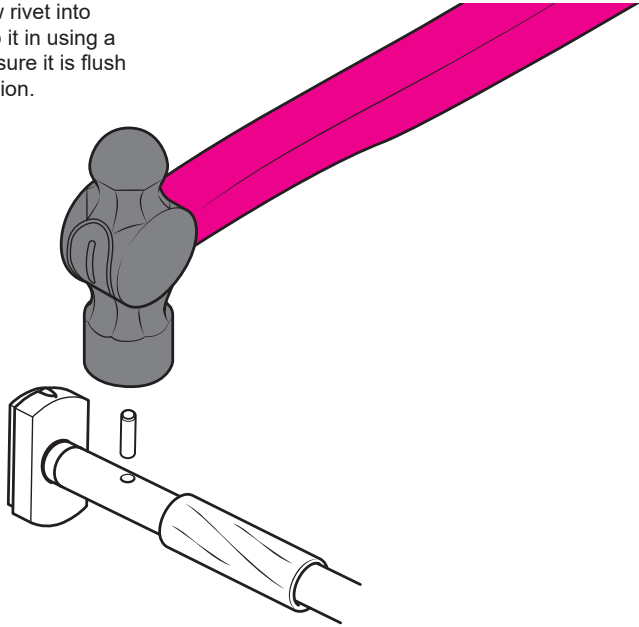
- 4) Mark on the centerline 15mm from the end of the tiller extension tube.

Drill a 5mm hole through the tiller extension and universal joint.





- 5) Insert the hollow rivet into the hole and tap it in using a hammer. Make sure it is flush with tiller extension.



- 6) Slide the heat shrink back over the rivet so it is aligned with the first shoulder of the universal joint.

Gently heat the heat shrink until it has shrunk tightly around the tiller extension tube.

