

**RS** **venture**  
connect

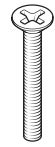
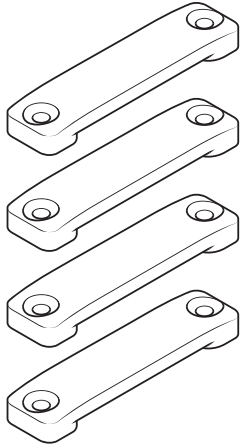
MAINSHEET COVER INSTALLATION v1.0



**RS** **venture**

## Kit Contents

x4  
40mm Webbing Bridge



x8  
M4 x 30mm CSK Pozzi

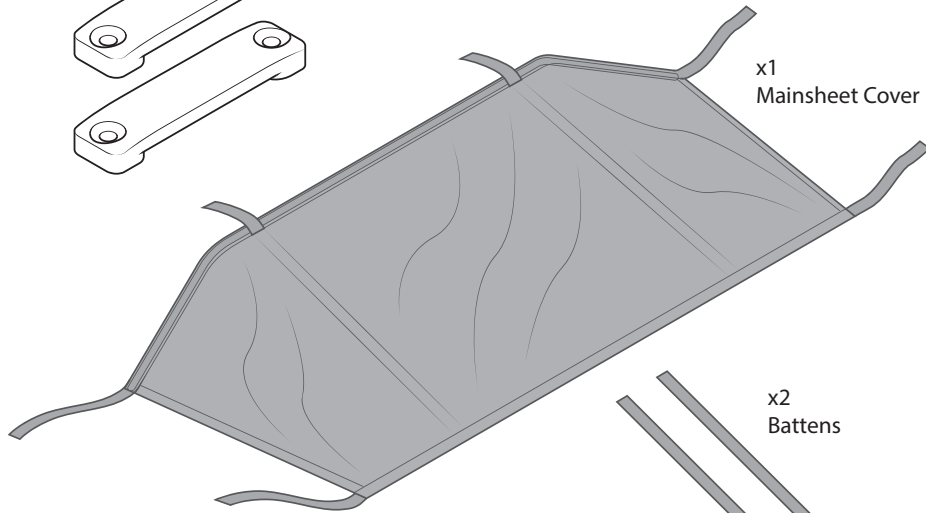


x8  
M4 washer

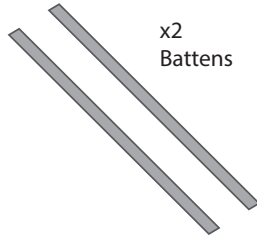


x8  
M4 Nyloc Nut

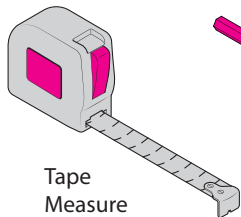
x1  
Mainsheet Cover



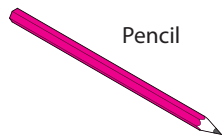
x2  
Battens



## Tools required



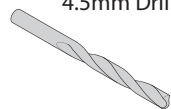
Tape  
Measure



Pencil



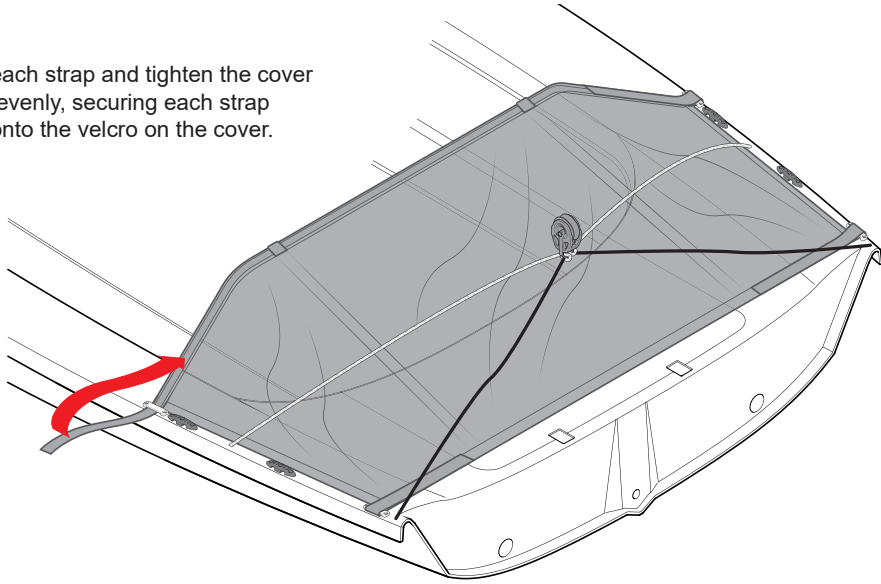
Drill



4.5mm Drill Bit

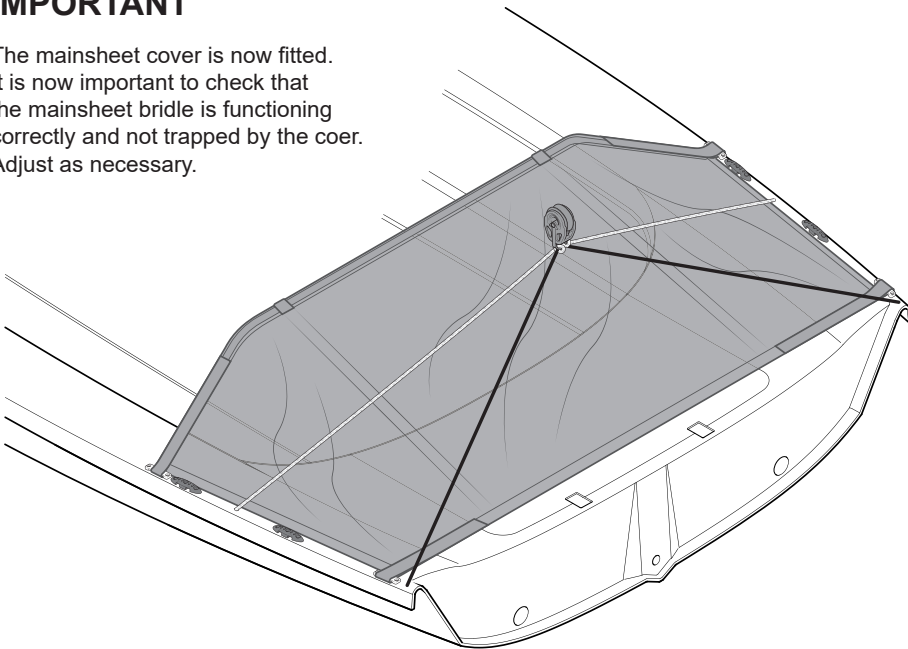
## Fitting the Mainsheet Cover

Take each strap and tighten the cover down evenly, securing each strap back onto the velcro on the cover.



### IMPORTANT

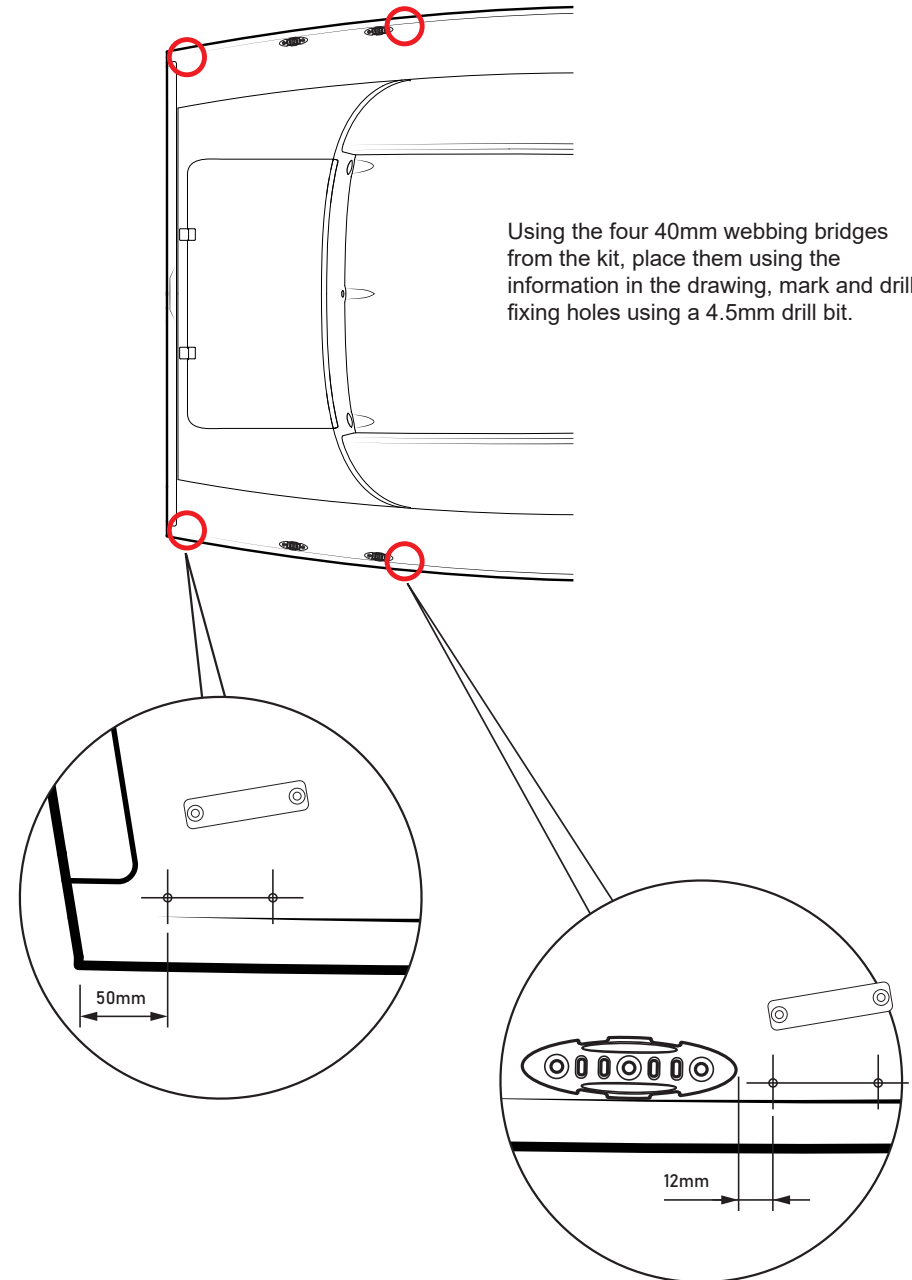
The mainsheet cover is now fitted. It is now important to check that the mainsheet bridle is functioning correctly and not trapped by the cover. Adjust as necessary.



## Fitting the Mainsheet Cover

### Fitting Webbing Bridges

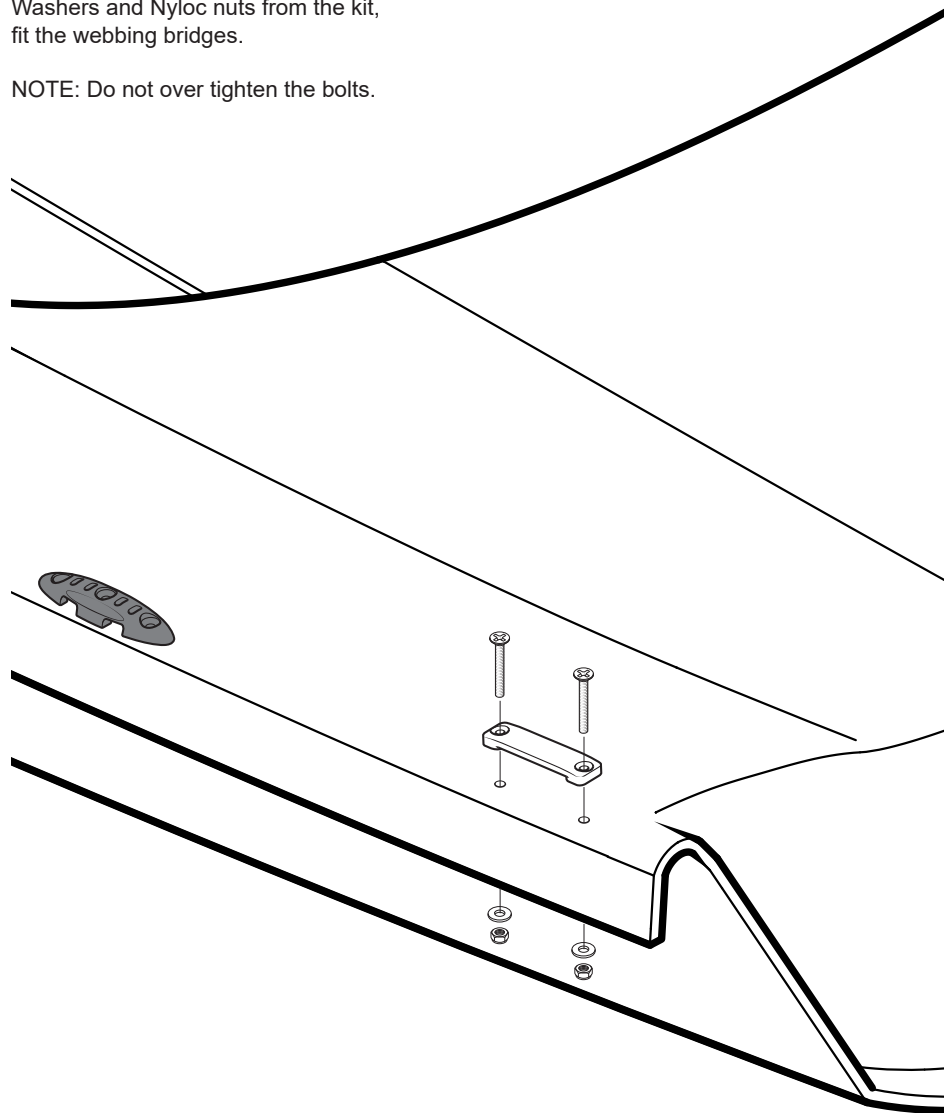
Using the four 40mm webbing bridges from the kit, place them using the information in the drawing, mark and drill fixing holes using a 4.5mm drill bit.



### Fitting Webbing Bridges

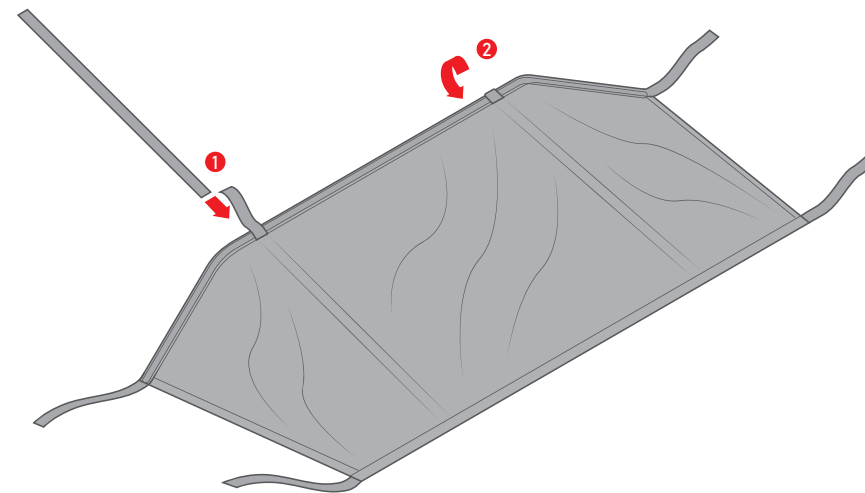
Using the m4 x 30mm CSK bolts, Washers and Nyloc nuts from the kit, fit the webbing bridges.

NOTE: Do not over tighten the bolts.



### Fitting Mainsheet Cover

1. Insert the 2 battens into the cover.
2. Fold over the tensioning strap and secure it back under the cover onto the velcro



Place the mainsheet cover over the rear of the boat. **Make sure the mainsheet bridle and shock cord take up are on top of the cover.** Thread each strap through the webbing bridges. Make sure the cover is square and centrally located.

