

***RS***

**200**

**Transom Fittings  
Screws to Bolts**



PLEASE FOLLOW ASSEMBLY GUIDE IN THE CORRECT ORDER

***RS***

**200**

Parts supplied:

4 x M6 x 30 Machine Screws

4 x M6 Penny washers

4 x M6 Nyloc

Tools required:

Pozi #3 Screwdriver

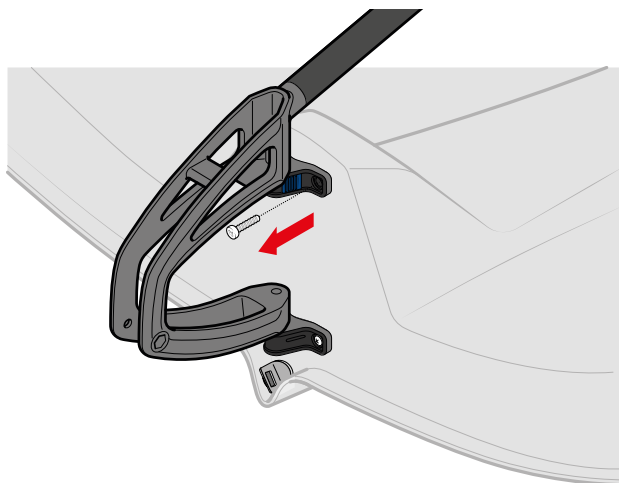
Drill

6mm Drill bit

Allen Key

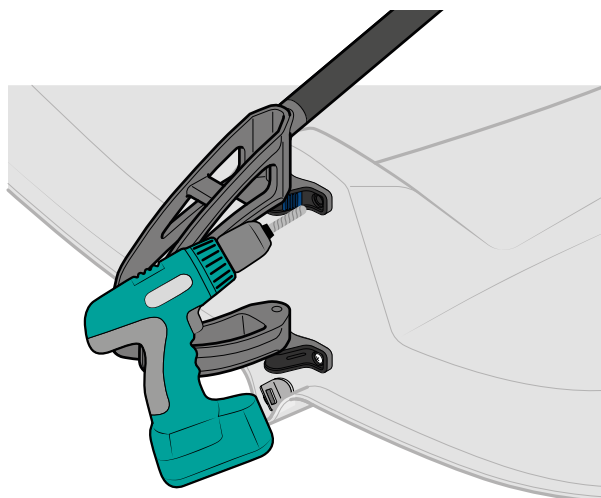
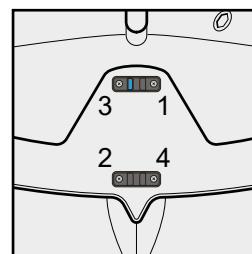
10mm Spanner or socket

Sikaflex



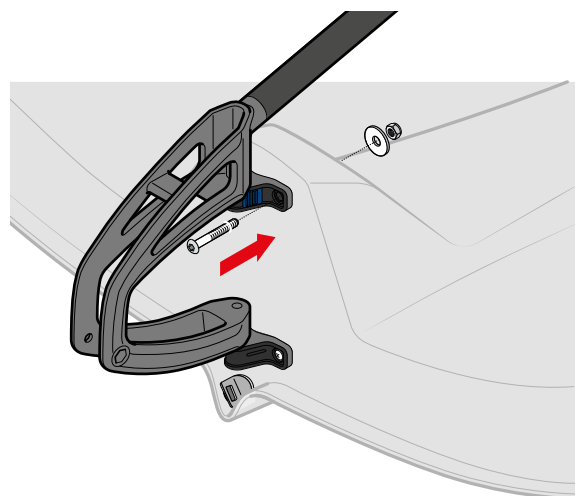
1. Fit Your rudder stock to the transom fittings to act as a jig and keep the gudgeons in line.

2. Remove screw #1



3. Using a 6mm drill bit drill the new hole

4. Use the M6 x 30, Penny washer and Nyloc. Dont forget the Sikaflex sealant. Tighten the fitting



5. Repeat for the other screws in the numbered order one fixing at a time