

RS aero

Rigging Guide

Mast Collar Repair Kit V1



PLEASE FOLLOW ASSEMBLY GUIDE IN THE CORRECT ORDER

RS
aero

Pack contents:

- 1 x Aero Mast collar
- 1 x RS Aero Mast heel plug
- 1 x Sikaflex adhesive
- 1 x Sand paper
- 1 x Masking tape
- Mixing sticks
- Nitrile Gloves
- 1 x 8 x 3/4 csk Pozi self-tapping screw
- 1 x pop rivet

Other tools required:

- Sharp Knife
- Drill
- 5mm and 7mm drill bit
- Hot air gun (hair dryer)
- Bench Vice / Work mate
- Tape Measure
- White Spirit or Acetone

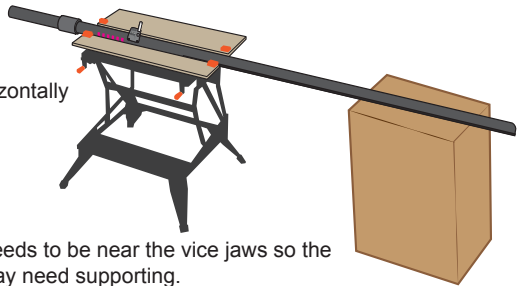


Check the pack has all the listed contents before you start



1)

Place the mast bottom section horizontally in a padded vice / workmate.

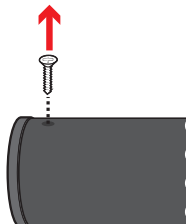


The collar needs to be near the vice jaws so the other end may need supporting.

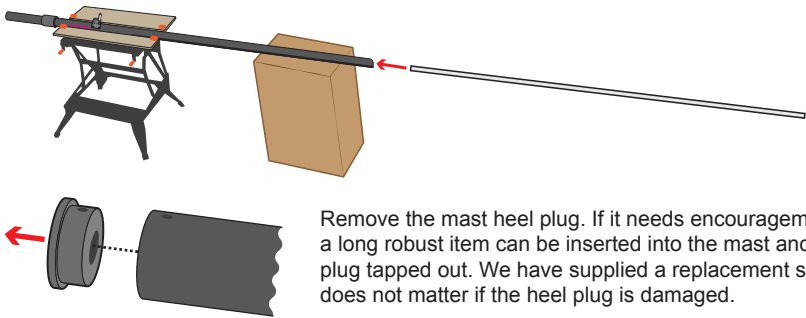
2)



The mast heel plug is secured with either a rivet or screw. Drill off the head of the mast heel plug securing rivet or remove the retaining screw.



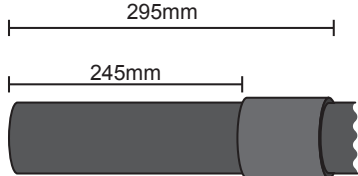
3)



Remove the mast heel plug. If it needs encouragement a long robust item can be inserted into the mast and the plug tapped out. We have supplied a replacement so it does not matter if the heel plug is damaged.

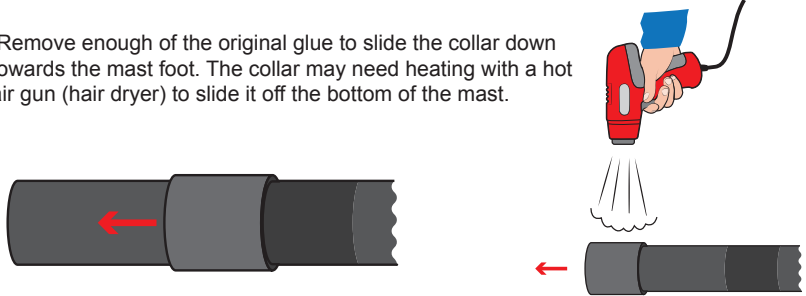
4)

Measure the correct location of the of the top and bottom of the mast collar from the bottom of the mast. You will need these measurements later to position masking tape and the collar itself.



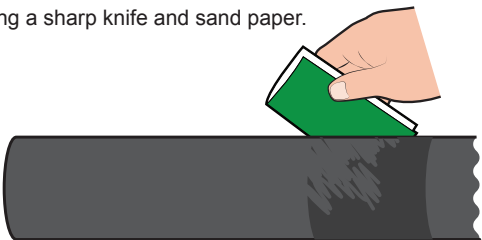
3)

Remove enough of the original glue to slide the collar down towards the mast foot. The collar may need heating with a hot air gun (hair dryer) to slide it off the bottom of the mast.



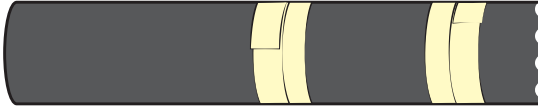
4)

Remove all of the original glue using a sharp knife and sand paper.



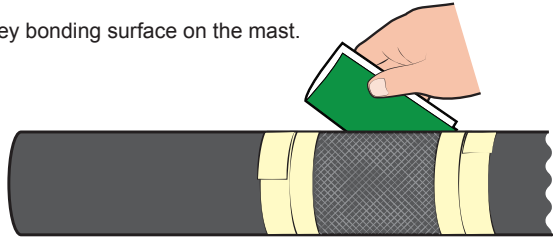
3)

Mask up the top and bottom of the bonding surface.



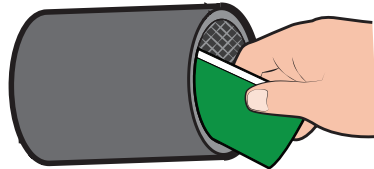
4)

Use the sand paper to key bonding surface on the mast.



3)

Key up the inside of the mast collar with the sand paper.

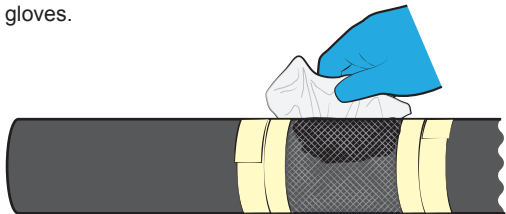


4)

Use the white spirit or acetone to degrease the collar and mast bonding surface.

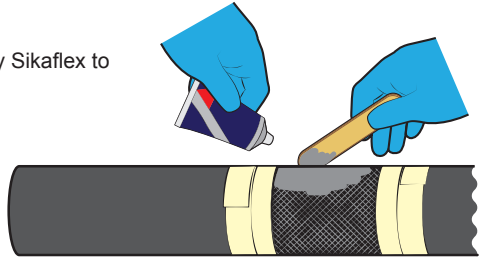


Use the nitrile gloves.



3)

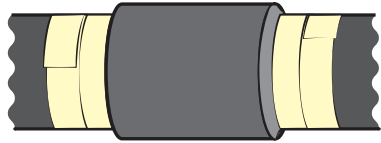
Use the wooden mixing stick to apply Sikaflex to the mast bonding surface.



4)



Slide the collar into position and thumb a fillet of Sikaflex into the top and bottom of the collar.



3)

Remove the excess Sika from the collar with the cloth.

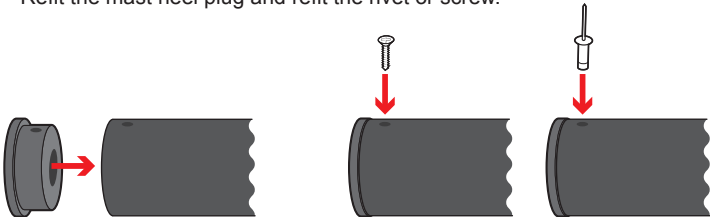


Double check the collar position.

Remove the masking tape and clean up any excess glue on the mast.

4)

Refit the mast heel plug and refit the rivet or screw.



Leave for 24hrs for the Sikaflex to cure